

5 Phase Stepper Motor

- Five leads for easy wiring configurations
- Wide selection range to suit various applications
- 0.3~63 Kgcm Max. Holding Torque
- Compact size for high Torque performance
- Highly cost effective



5 Phase Stepper Motor

Type	Motor Size (mm)	Motor Model	Max. Holding Torque (kgcm)	Rotor Inertia (gcm ²)	Basic Step Angle***	Phase Current (Amps)	Motor Weight (kg)
HI-TORQUE (PF Series)	28	PEE 533 A (B)	0.33	9	0.72°	0.75	0.1
		PEE 535 A (B)	0.6	18	0.72°	0.75	0.17
	42	PF 543 AC (BC)	1.3	35	0.72°	0.75	0.25
		PF 544 AC (BC)	1.8	54	0.72°	0.75	0.3
		PF 545 AC (BC)	2.4	68	0.72°	0.75	0.4
	60	PF 564 AC (BC)	4.2	175	0.72°	1.4	0.6
		PF 566 AC (BC)	8.3	280	0.72°	1.4	0.8
		PF 569 AC (BC)	16.6	560	0.72°	1.4	1.3
	85	PF 596 AC (BC)	20.9	1400	0.72°	1.4	1.7
		PF 599 AC (BC)	40.9	2700	0.72°	1.4	2.8
PF 5913 AC (BC)		62.9	4000	0.72°	1.4	3.8	
HI-TORQUE HI-SPEED (PF Series)	60	PF 569 HAC (BC)	16.6	560	0.72°	2.8	1.3
	85	PF 596 HAC (BC)	20.9	1400	0.72°	2.8	1.7
		PF 599 HAC (BC)	40.9	2700	0.72°	2.8	2.8
		PF 5913 HAC (BC)	62.9	4000	0.72°	2.8	3.8

** Brake Type Stepper Motor **

HI-TORQUE (PF Series) *Brake Type	60	PF 564 ACM	4.2	320	0.72°	1.4	0.9
		PF 566 ACM	8.3	425	0.72°	1.4	1.1
		PF 569 ACM	16.6	705	0.72°	1.4	1.6
	85	PF 596 ACM	20.9	2200	0.72°	1.4	2.4
		PF 599 ACM	40.9	3500	0.72°	1.4	3.5
		PF 5913 ACM	62.9	4800	0.72°	1.4	4.5
HI-TORQUE HI-SPEED (PF Series) *Brake Type	60	PF 569 HACM	16.6	705	0.72°	2.8	1.6
	85	PF 596 HACM	20.9	2200	0.72°	2.8	2.4
		PF 599 HACM	40.9	3500	0.72°	2.8	3.5
		PF 5913 HACM	62.9	4800	0.72°	2.8	4.5

(A) after the unit # denotes single shaft configuration. (B) after the unit # denotes thru-shaft configuration.

Other Specifications

Motor Electrical Specifications

Dielectric Strength	No abnormality detected after the application of 0.5KV at 50 Hz between motor windings and frame for duration of one minute		
Insulation Resistance	100 Mohms or better with 500V potential applied between motor windings and frame at normal ambient temperature and humidity		
Insulation Class	Class B	Operating Environment Temperature	0°C ~ + 50°C

Motor Mechanical Specifications

Shaft Radial Play	0.025 mm (max) at load 0.5 Kg
Shaft Axial Play	0.075mm (max) at load 1 Kg
Step Angle Accuracy	± 3 min (PF Series)

Applicable Driver Range

The above motors can be used on the following MYCOM stepping drivers. Selection is generally based on applicable speed range and supply input as indicated below :-

Low Speed Range (24Vdc supply input)

UPS503 series
IMS500 series
INS500 series (NanoDrive)
INS501 series (NanoDrive)

Standard Speed Range (110Vac supply input)

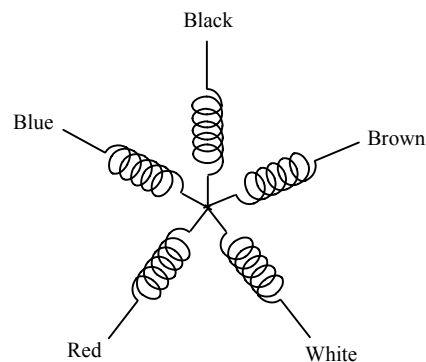
PSU50 series
UPS52 series
UPS53 series
IMS50-x1x series
INS50-x1x series (NanoDrive)

Standard Speed Range (220Vac supply input)

IMS50-x2x series
INS50-x2x series (NanoDrive)

** kindly refer to our sales staff for other series of drivers

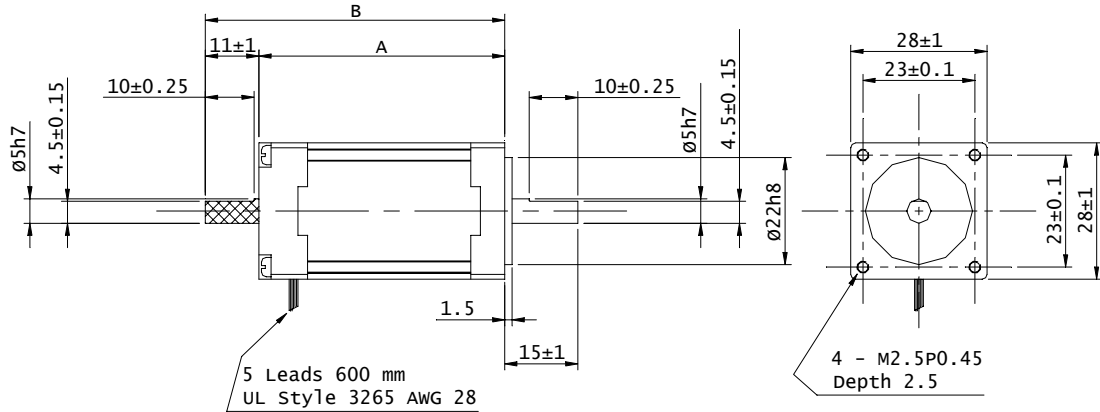
5 Phase Motor Connection Diagram



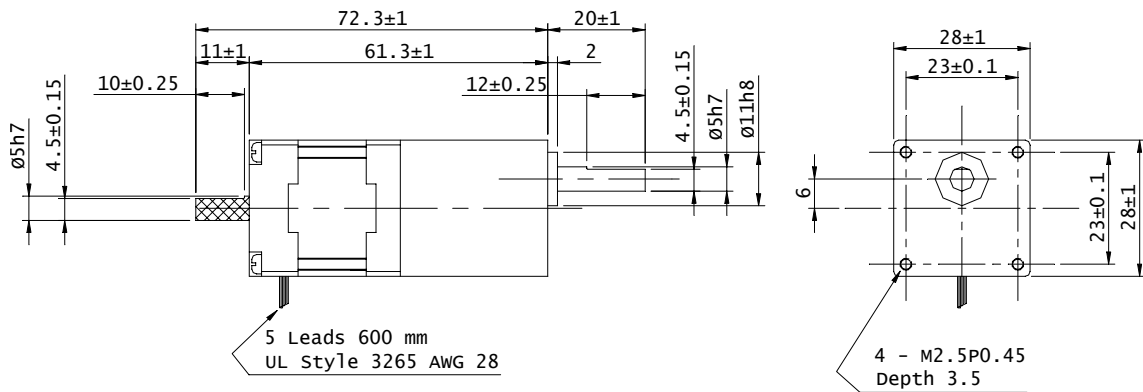
5 Phase Stepper Motor Dimensions – PEE 533 / PEE 535

PEE 53X-A(B)

Model No. A - Single Shaft B - Thru' Shaft	A (mm)	B (mm)
PEE 533-A(B)	31±1	42±2
PEE 535-A(B)	50.5±1	42±2

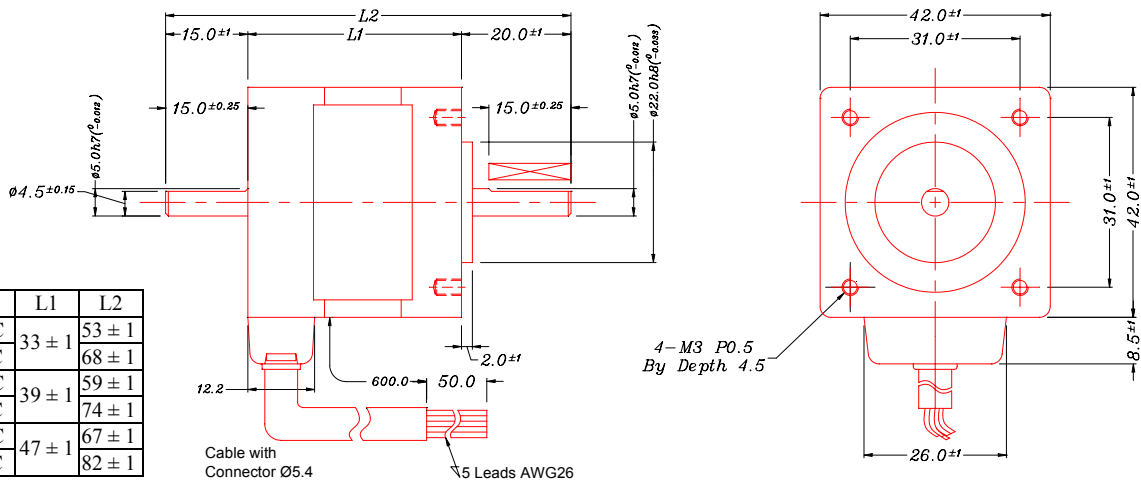


PEE 533-A(B) MGXX

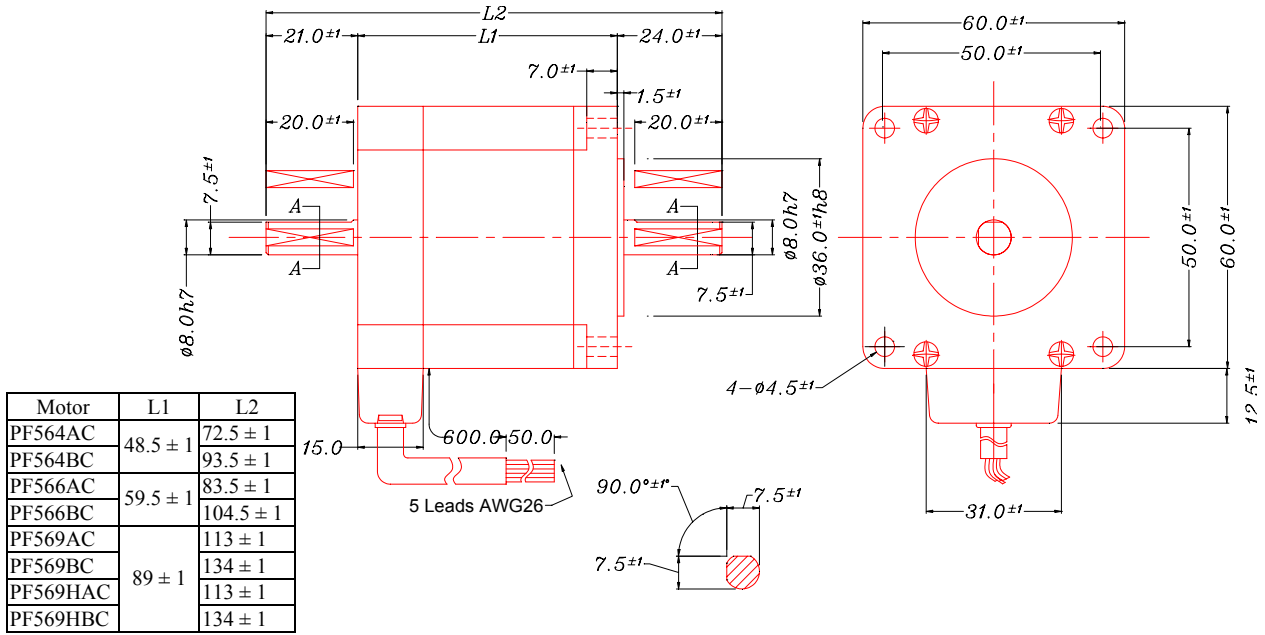


5 Phase Stepper Motor Dimensions – PF 543 / PF 544 / PF 545

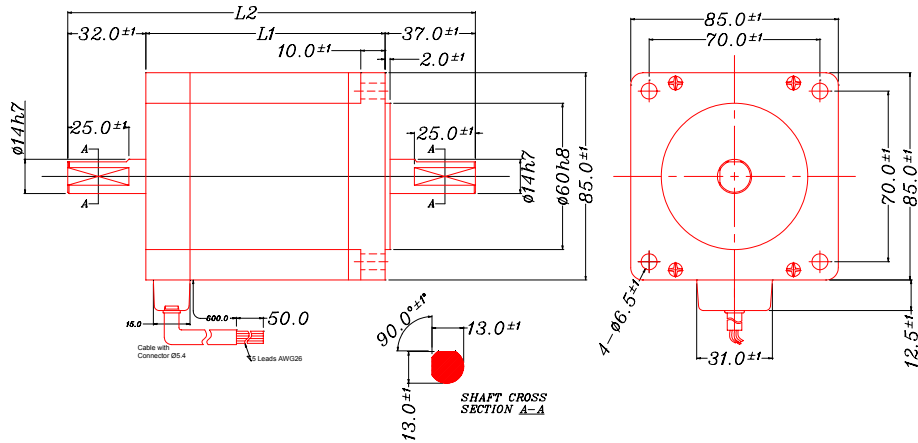
Motor	L1	L2
PF543AC	33 ± 1	53 ± 1
PF543BC		68 ± 1
PF544AC	39 ± 1	59 ± 1
PF544BC		74 ± 1
PF545AC	47 ± 1	67 ± 1
PF545BC		82 ± 1



5 Phase Stepper Motor Dimensions – PF 564 / PF 566 / PF 569

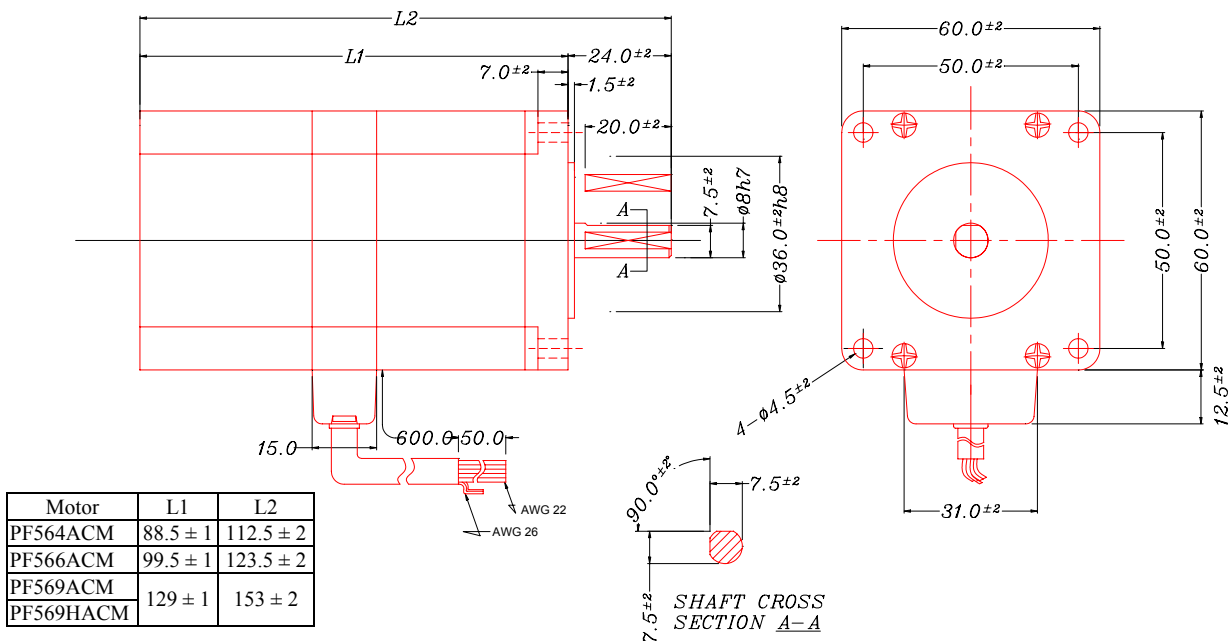


5 Phase Stepper Motor Dimensions – PF 596 / PF 599 / PF 5913

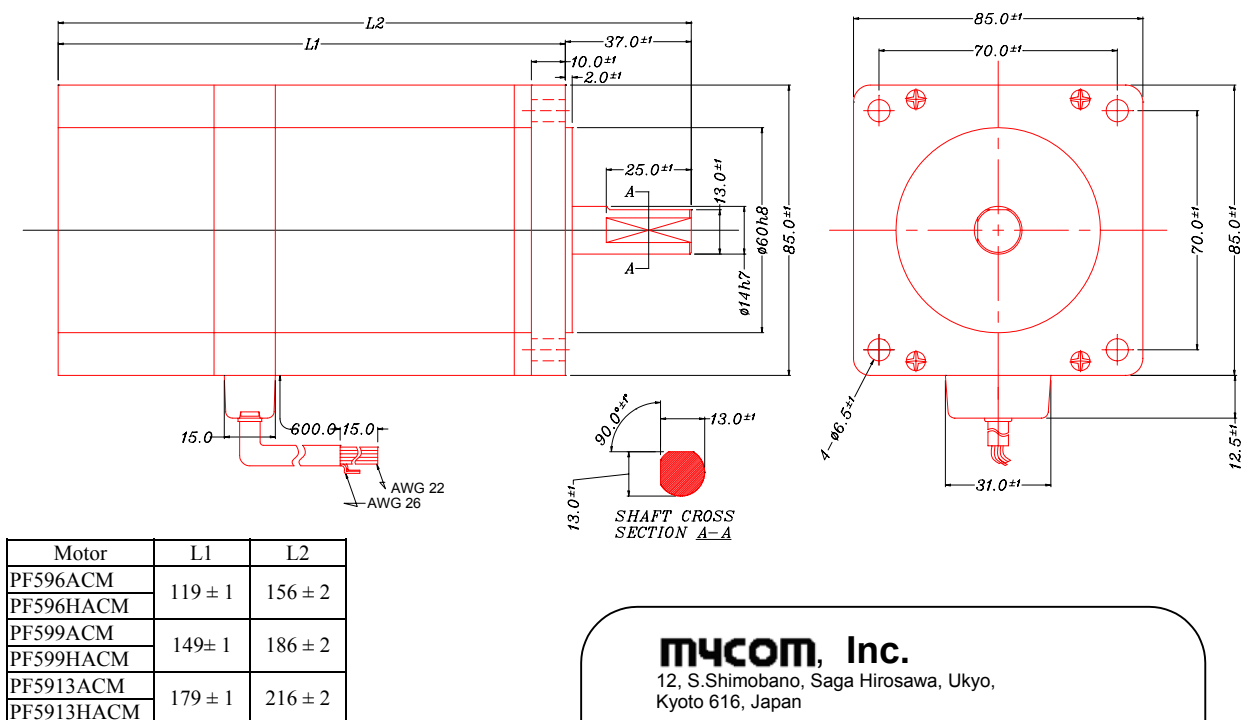


Motor	L1	L2
PF596AC	68 ± 1	105 ± 1
PF596BC		137 ± 1
PF596HAC		105 ± 1
PF596HBC		137 ± 1
PF599AC	98 ± 1	135 ± 1
PF599BC		167 ± 1
PF599HAC		135 ± 1
PF599HBC		167 ± 1
PF5913AC	128 ± 1	165 ± 1
PF5913BC		197 ± 1
PF5913HAC		165 ± 1
PF5913HBC		197 ± 1

Brake Type Stepper Motor Dimensions – PF 56xACM / PF 569 HACM



Brake Type Stepper Motor Dimensions – PF 59xACM / PF 59x HACM



MYCOM, Inc.

12, S.Shimobano, Saga Hirosawa, Ukyo,
Kyoto 616, Japan

Tel : (81) 75-882-3601 Fax : (81) 75-880-6531
Email : support@mycom-japan.co.jp

MYCOM Technology (S) Pte Ltd

No 1 Sims Lane, #05-05 One Sims Lane
Singapore 387355

Tel : (065) 6743-4476 Fax : (065) 6743-4576
Email : sales@mycommts.com.sg